



Dang Xuan Thang
Managing Director

Dear Readers,

Welcome to the new look KPMS newsletter 2010. We have redesigned our newsletter to reflect the feedback from you, our valued clients. In this, as well as future editions you will find useful information on local industry news and events, our core solutions, and featured articles by our clients.

As of this edition, our newsletter will also feature regular articles in construction management, enterprise and project risk management, building information modelling (BIM), cost engineering and management, project planning and scheduling, earned value, portfolio project management and facilities management.

KPMS has also officially opened new Oracle certified Primavera training courses as of January, 2010. As well as offering courses on demand, KPMS will also host regular training courses at our training centre. We will update you with all upcoming training schedules in our monthly newsletter.

In addition you might also like to see our new look web-site which has been revised to provide our clients with more easily accessible and in depth information on our solutions and services. At the new www.kpms.com.vn you can also access new features such as the KPMS user forum, online support, and training registration.

Keep tuned to our monthly newsletter to ensure you are up to date with all the latest industry news and developments here in Vietnam.

Best regards,
Thang Dang Xuan

Managing Director
thang.dx@kpms.com.vn

Table of content

[> KPMS launches Oracle | AutoView](#)

[> Industry News](#)

[> KPMS Certified Oracle | Primavera Training](#)

[> Oracle | Primavera: Important Licensing Policy Announcement](#)

Upcoming Courses June:

Project Management in Primavera P6:
[> July 21st, 22nd, 23rd](#)

Advanced Project Management in Primavera P6:
[> June 24th, 25th](#)
[> August 26th, 27th](#)

Project Management in Primavera P6 Web access:

KPMS launches Oracle | AutoVue

Oracle | AutoVue : Enterprise Visualization Solutions

> August 18th, 19th, 20th

Booking Support

Contact: Ms. Trúc
Email: truc.btt@kpms.com.vn
Phone: 08 . 6295 9098 Ext: 109
Website: www.kpms.com.vn

For this month KPMS would like to thank...

NEW CLIENTS:

Binh Chanh Construction
Investment Shareholding Company
(BCCI)

Petroleum Industrial and Civil
Construction Joint Stock Company
(PVC-IC)

PetroVietnam Construction Joint
Stock Corporation PV Engineering

Sacomreal Vietnam Ltd

PetroVietnam Gas (PV Gas)

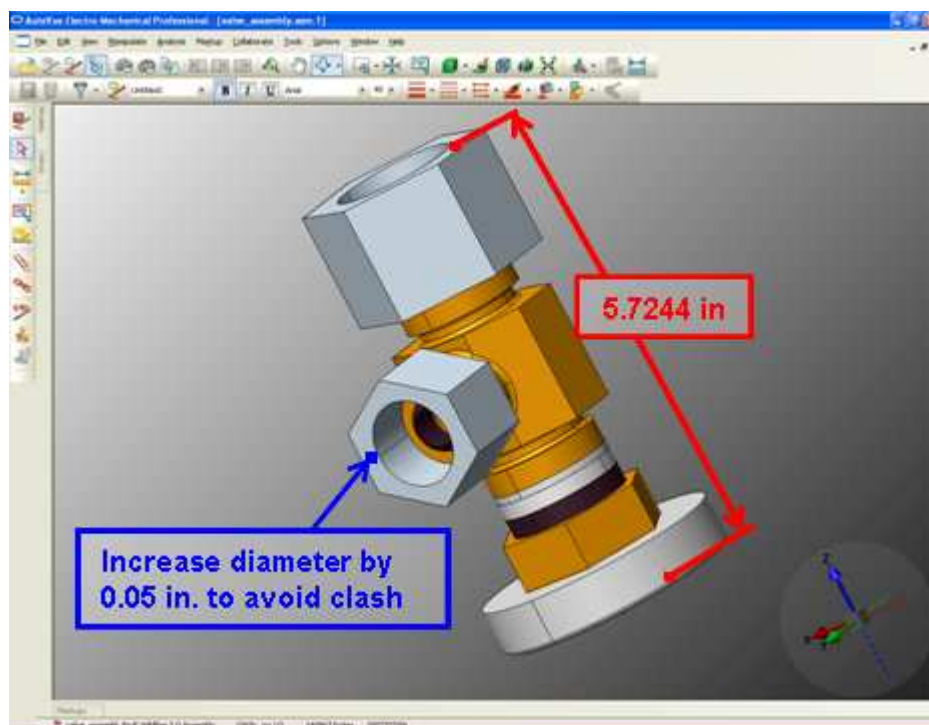
Poyry

RETURNING CLIENTS:

PetroVietnam Exploration
production Corporation (PVEP)

STX Vietnam Offshore Ltd

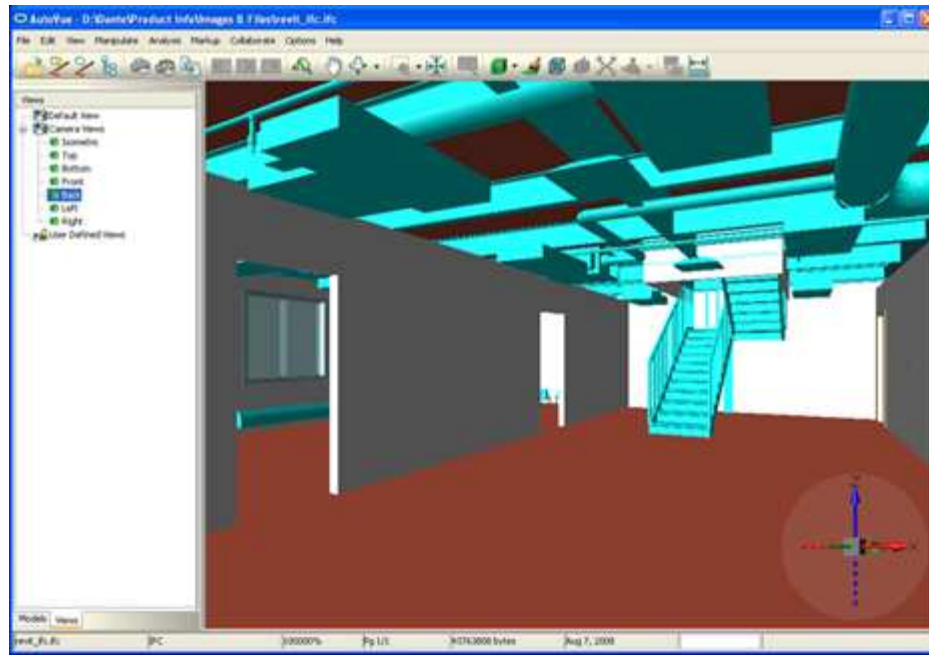
Nam Long Investment Corporation
(NLG)



Picture 1: Markup with redline

We are delighted to announce KPMS as Oracle's newly appointed partner in Vietnam for Oracle AutoVue – The solution designed to meet all of your organizations document visualization requirements.

Oracle AutoVue can serve as the window for visualization across all enterprise applications (e.g. Oracle Primavera) and can even meet the basic viewing needs of individual desktops. By enabling users to view, print, and collaborate on any digital information asset from any system, organizations can achieve true enterprise visualization and ensure the success of their projects.



Picture 2: Walkthrough 3D

Whether it's a simple PDF file or a complex CAD drawing, the need to share information is crucial to all industries, particularly product and asset-intensive industries. Enterprise engineering and asset information is typically only accessible by core engineering groups. However, it is required by the rest of an organization to effectively and securely perform operations, such as maintenance and repairs, project management, project planning and execution, and change management.

By delivering a framework that enables asset, product and engineering information to flow freely throughout the enterprise, AutoVue allows users to capitalize on existing information assets contained within all enterprise, vastly improving project workflow, business processes and workforce productivity.

Greater visibility of project, product, asset and engineering information:

- Share project, product, asset and engineering documents and information with all enterprise users
- Make better business and technical decisions based on reliable information
- Maximize workforce productivity

Improved global team communication and collaboration:

- Drive collaboration best practices and promote communication across the enterprise
- Capture audit trail of changes, decisions, and approvals with digital annotations and markups
- Collaborate securely without risking valuable intellectual property
- Support green initiatives

Streamlined business processes:

- Boost the value of enterprise systems (e.g. Oracle Primavera) with integrated enterprise visualization
- Unlock asset information to all users and across all systems
- Leverage existing IT investments

For more information on Oracle | AutoVue please visit our [website](#)
Or, you can download the AutoVue v.20 datasheet [here](#)
To arrange a demonstration please contact our team at info@kpms.com.vn

KPMS Certified Oracle | Primavera Training

KPMS is pleased to offer all Oracle Certified Primavera Training courses run by Oracle-Authorized Trainers in public and private locations across Vietnam. The courses we offer are Primavera product specific and can be placed into the following product categories:

- Project Management in Primavera P6
- Advanced Project Management in Primavera P6
- Project Management in Primavera P6 Web Access
- Resource Management in Primavera P6
- Portfolio Management in Primavera P6
- Managing Contracts in Primavera Contract Management

[BOOKING ONLINE](#)

For more information on KPMS Oracle Primavera Training please visit our [website](#)

Book your place on an upcoming course by contacting Ms. Truc:
truc.btt@kpms.com.vn

Upcoming Courses July, August:

Project Management in Primavera P6

> [July 21st, 22nd, 23rd](#)

Advanced Project Management in Primavera P6

> [July 15th, 16th](#) > [August 26th, 27th](#)

Project Management in Primavera P6 Web access

> [August 18th, 19th, 20th](#)

Industry News

Eight sites identified for nuclear power plants

Last update 13:51, Wednesday, 23/06/2010 (GMT+7)

VietNamNet Bridge – Vietnam plans to build eight nuclear power plants, totalling 13 turbines in

five central provinces: Ninh Thuan, Binh Dinh, Phu Yen, Ha Tinh and Quang Ngai, according to the master plan for developing nuclear power to 2030, recently approved by PM Nguyen Tan Dung.



A nuclear power plant in Germany.

According to the plan, nuclear power will be developed based on modern, tested technologies to serve peaceful goals in three phases.

In the first phase (now to 2015), Vietnam will approve investment and locations, select contractors and train managers and technicians.

During the second phase (2015 through 2020) Vietnam will finalize construction and put into operation the first turbine at the first nuclear power plant – Ninh Thuan 1. The second turbine will begin operating in 2021.

PV

[>> Read more](#)

(source: [Vietnamnet](#))

Dung Quat EZ attracts \$10 bln in investment

Last updated: 6/14/2010 14:30



A seaport for exporting oil products at the Dung Quat Economic Zone in Quang Ngai Province

The Dung Quat Economic Zone in the central province of Quang Ngai has thus far attracted 167 projects with a total registered investment of US\$10.7 billion, an official at the zone said.

Of these projects, 51 have started operations, employing around 12,000 workers, said Le Van Dung, deputy head of the economic zone authority.

Businesses at the zone will need a total of 67,600 employees in 2020 as many new projects will be completed by then, he said, noting that foreign invested projects alone will account for 17 percent of the workers.

The Dung Quat EZ, about halfway between Hanoi and Ho Chi Minh City, is expected to attract \$12 billion of investment in total by 2012.

(source: [Thanhniennews](#))

Oracle | Primavera: Important Licensing Policy Announcement

No longer minimum 10 licenses on Oracle Primavera P6 EPPM

Oracle has recently announced a new licensing policy for clients who are interested in purchasing Oracle Primavera P6 Enterprise Project Portfolio Management (P6 EPPM). The new policy removes the minimum purchase requirement of 10 licenses in order to acquire the (EPPM) Enterprise version.

We would like to take this opportunity to inform our clients of this important development as we believe that many of you will be interested in the benefits of running P6 EPPM and in particular the increased productivity and collaboration gained when running P6 via the web. As well as clients interested in new license purchases, existing Primavera users will now have an option to migrate to P6 EPPM.

If you have any questions with regard to the new policy or require any clarification please do not hesitate to contact us. In addition if you would like a demonstration of P6 EPPM we would be happy to meet with you at your convenience. Please contact Ms. Ngoc for further information or to arrange a product demonstration: ngoc.ntm@kpms.com.vn